



## EURO SMART

The EURO SMART flow wrapper is the ideal entry level machine for those customers looking for electronic machine, having 3 servo motors and being equipped with primary brands components. The Euro SMART conserves a cantilevered construction on a frame in stainless steel with modular and easy-to-remove groups just like the other SIGITASPAK flow wrappers. Its compact dimensions and the structure on wheels make it very flexible and ideal to pack a wide range of food and non food products.



SCAN ME

Performances up to 100 bpm

Stainless steel structure

Siemens motorization

Small footprint



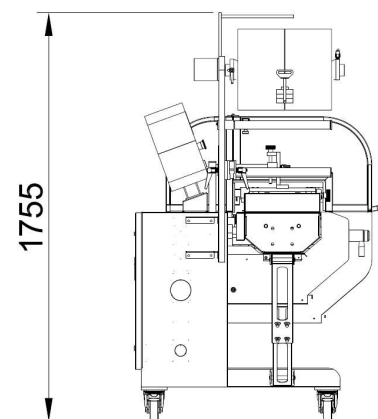
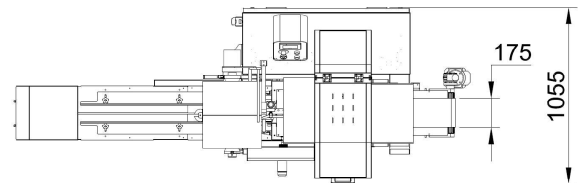
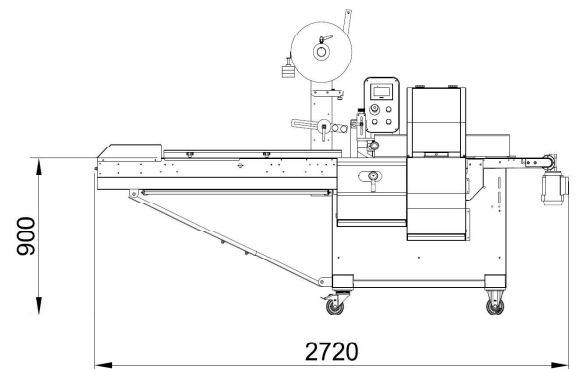


## Technical data

Max mechanical speed	Up to 100 bpm
Reel's max external Ø	300 mm / 11,81"
Reel's max width	400 mm / 15,75"
Product's max length	800mm / 31,49"
Packaging materials	Polypropylene, metallized, coupled, pearled
Recipes	40
Interface	4,3" color touch screen
Electrical supply	230V, single-phase + N + G
Installed power	3,6 kW
Structure's material	Stainless steel AISI 304
Weight	~ 400 kg

## Options

- Double sealing jaw
- Zig-zag or easy opening blade
- Euroslot
- No Product - No Bag
- Pneumatic reel holder
- Right-hand version
- Alcohol sprayer + tank
- Printer
- Lowered jaws/wheels seal
- Pitch change
- Side gussets



Pictures of packed products are not of promotional nature, but meant to stand as examples of different packaging types. Not all represented products were packed by Sigitaspak s.r.l.

