



## EURO 600 TR BB

The EURO 600 TR horizontal flow wrappers are the ideal solution to pack long shelf-life products having the compatibility with gas injection (MAP) or flavor spraying. The fast box motion sealing system, electronically controlled, ensures the perfect tightness of each bag at high speed with extreme easiness. The EURO 600 TR is also indicated for multipacks or large bags or products having different length within the same batch such as cheese and processed meat, etc. Several optional accessories can be installed to meet a wide range of customer's needs, such as IP65 protection and full stainless steel solutions for difficult products.



SCAN ME

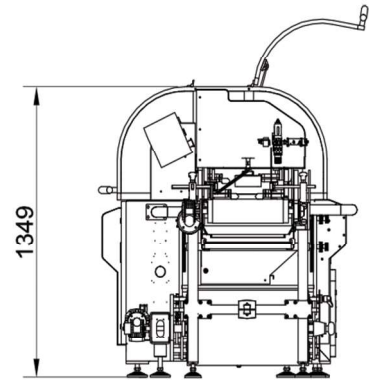
- Performances up to 80 bpm
- Film's width up to 720 mm (special version)
- MAP full compatibility
- Electronic adjustable height of longitudinal sealing





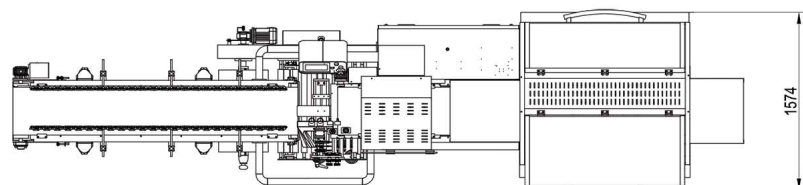
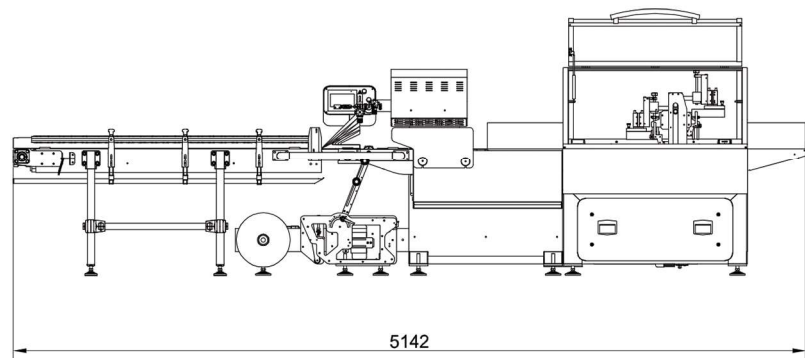
## Technical Data

Max mechanical speed	Up to 80 bpm (Up to 120 bpm TRV version)
Reel's max external Ø	350 mm / 13,78"
Reel's max width	600 mm / 23,62" (720 mm / 28,34" upon request)
Bag's max length	Limitless
Packaging materials	Coupled, polyethylene, polypropylene, paper+PE , cold sealable films
Product's max height	150mm / 5,90"
Recipes	100
Interface	7,7" color touch screen
Electrical supply	380 V, three-phase + N + G
Installed power	12,5 kW
Structure's material	Stainless steel AISI 304
Weight	~ 950 kg



## Options

- Film's width 720 mm
- Motorized reel holder
- Gas injection
- Gas analyzer
- Euroslot
- Printer
- No Product - No Bag
- Pneumatic gussetting
- Kissing belt
- Loading conveyor's elongation
- In-Out pressure device
- Pre-heating for the first pair of wheels



Pictures of packed products are not of promotional nature,  
but meant to stand as examples of different packaging types.  
Not all represented products were packed by Sigitaspak s.r.l.

