



## EURO 600 BA

Horizontal packaging machine EURO 600 BA allows to realize three-seals bags starting from a plain reel of thermo-sealing film. Servo-assisted, it has a cantilevered construction on a stainless steel frame. All its groups are modular and easily removable. The compact dimensions together with a wide range of available options make it very flexible and ideal to pack a large variety of food and non food products. Two wide drawers with key facilitate the cleaning operations. Loading conveyor with brushless motorization, adjustable side guides and easily removable pushers. Frame in stainless steel AISI 304. 7,7" color touch screen. Fix or adjustable forming tunnel. Exit belt easy to clean and according to FDA norms.



SCAN ME

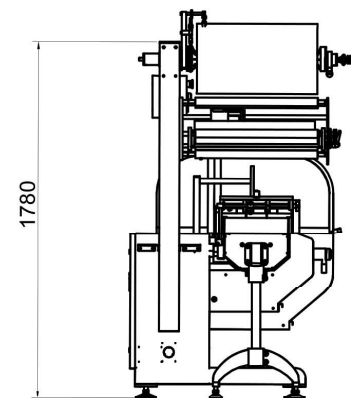
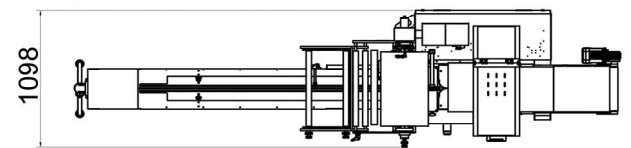
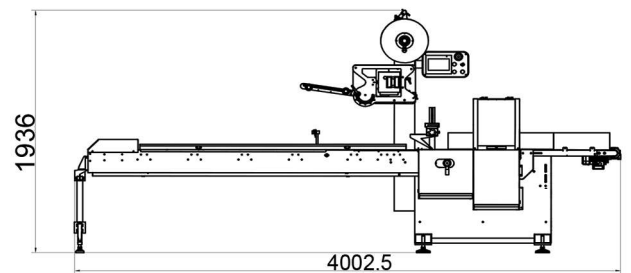
- Performances up to 120 bpm
- Stainless steel structure
- Reel's width up to 600 mm / 23,62"
- Brushless motorization





## Technical Data

Max mechanical speed	Up to 120 bpm (Up to 200 bpm upon request)
Reel's max external Ø	350 mm / 13,78"
Reel's max width	600 mm / 23,62" (720 mm / 28,34" upon request)
Product's max length	1000 mm / 39,37" (limitless with cutter function)
Packaging materials	Polypropylene, coupled, metallized, pearled and cold seal films
Recipes	40
Interface	7,7" color touch screen
Electrical supply	380V, 3P + N + G (other upon request)
Installed power	8 kW
Structure's material	Stainless steel AISI 304
Weight	~ 440 kg



## Options

- Double sealing jaw
- Zig-zag or easy opening blades
- Euroslot
- No Product - No Bag
- Sealing wheels with pneumatic opening and air blow
- Reel holder with pneumatic expansion
- Three or four pairs of sealing wheels
- Air-Suction on the first pair of sealing wheels
- Pre-heating for the first pair of sealing wheels (recommended for speeds higher than 10 m/min.)
- Right-hand version
- Wheels under machine with brake
- Alcohol sprayer + tank
- Printer
- Remote connection device
- Manual cutting height adjustment
- Motorized film unwinding system
- Automatic film roll replacement
- Lowered jaws'/wheels' seal
- Pitch change
- Side gussets
- Loading conveyor elongation

Pictures of packed products are not of promotional nature, but meant to stand as examples of different packaging types. Not all represented products were packed by Sigitaspak s.r.l.

